

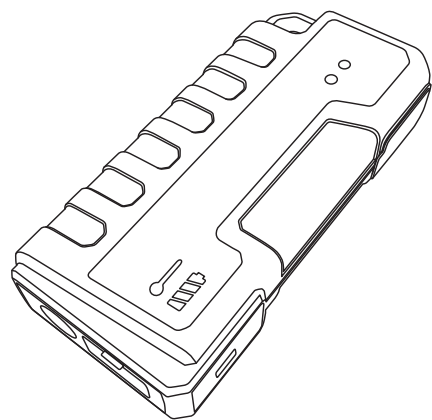
96.6mm

16000mAh Portable JumpStarter User Manual

正面

尺寸：386.4x262.2mm
四折页(96.6x131.1mm)
材质：80g书纸，双面印刷
备注：图中 - - - 虚线为
折叠线不需要印刷

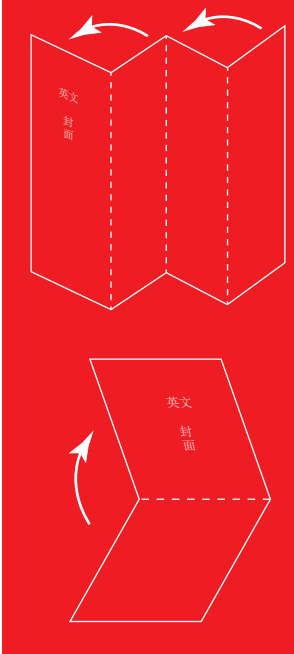
131.1mm



Please read the manual carefully before operating and keep it!

生产大货时，必须按照下方
示意图折叠好!!!

折叠示意图：



ABOUT THE PRODUCT

Thank you very much for applying our multi-function portable jumpstarter. When you encounter an accident loss or damage of car battery, or cannot start the car due to temperature reasons, you can try to start your car with a jumpstarter. This jumpstarter has been built in high quality lithium polymer battery, the peak starting current can be up to 700A. Before using this product, please read the user manual carefully and properly keep for reference.

This manual is to help you use the product correctly, it does not represent any description on the hardware and software configuration of the product. About the product configuration, please refer to the contract related to this product (if there is), or consult to the seller that sells the product. Pictures in this manual is for reference only, if there are individual pictures do not match the actual, please prevail in actual products.

I. NOTICE BEFORE USING!

1. This product must cooperatively work with standard Clamps, it is forbidden to use a third party battery clip, otherwise it will cause dangers and may endanger the safety of users.
2. This jumpstarter is only used for 12V diesel/gasoline vehicle, the suggested diesel vehicle emission should be less than 6.0L, otherwise you may be unable to start your car since the starting current can't reach the required CA(Cranks Ampere) value of the car.
3. This jumpstarter provides a maximum peak starting transient current of 700A to start car engine. Correctly connect the product to the positive and negative pole of the car battery that has suffered power loss or damage, this product will intelligently recognize the car battery voltage, users can instantly start the engine by switching the engine switch.
4. Vehicles that have on-board computerized systems which not designed to meet ISO 16750 standard may be damaged if vehicle battery is jump-started. Before jump-starting, read the vehicle's owner's manual to confirm that external-starting assistance is suitable.
※ISO 16750 is an ISO standard which provides guidance regarding environmental conditions commonly encountered by electrical and electronic systems installed in automobiles.
5. Jump-start procedures should only be performed in a safe, dry, well-ventilated area.
6. Always store battery clamps when not in use. Never touch battery clamps together. This can cause dangerous sparks, power arcing and/or explosion.
7. This system is designed to be used only on vehicles with a 12 volt DC battery system. Do not connect to a 6 volt or 24 volt battery system.
8. This system is not designed to be used as a replacement for a vehicular battery. Do not attempt to operate a vehicle that does not have a battery installed.
9. Excessive engine cranking can damage a vehicle's starter motor. If the engine fails to

start after the recommended number of attempts (no more than 5 times of attempt to start the engine at a time), discontinue jump-start procedures and look for other problems that may need to be corrected.

II. OTHER WARNINGS

1. Do not short-circuit the unit. To avoid short-circuiting, keep the unit away from all metal objects (e.g. coins, hair-pins, keys, etc.);
2. Do not heat the unit, or dispose of it in fire, water or other liquids. Keep away from high temperatures. Do not expose the unit to direct sunlight.
3. Keep away from high humidity, dusty places.
4. Do not disassemble or reassemble this unit.
5. Do not drop, place heavy objects on, or allow strong impact to this unit.
6. This appliance is not intended for use by persons (including children) with reduced physical, sensory or mental capabilities, or lack of experience and knowledge, unless they have been given supervision or instruction concerning use of the appliance by a person responsible for their safety.
7. Children should be supervised to ensure that they do not play with the appliance.
8. Do not cover the device with towels, clothing and other item.
9. The unit may become hot when charging. This is normal. Use caution when handling.
10. Do not charge the unit over the required time.
11. Disconnect the unit when fully charged.
12. Use the unit properly to avoid electronic shock.

III. PRODUCT PARAMETERS

Capacity	16000mAh
Dimensions(LWH)	187x83x44mm
Weight	640g
Built-in Battery	High Rate Discharge Lithium Polymer Batteries
Input Recharging	DC15V/1A; MicroUSB:5V/1A
Fully Charged Time	MicroUSB: about 15 hours; DC 15V:about 5~6 hours
Voltage	EC5 12V
Output	USB 5V/2A; 9V/1.7A; 12V/1.5A
Bulb Type	Ultra bright LED light
Amps of instant starting power	500A
Peak amps	700A
Operation temperature range	-20 C-60 C
Lifecycle	500 times

Package include	1 x car jump starter 1 x cigarette light adapter 1 x microUSB charging cable	1 x Alligator clamps 1 x car charger 1 x user manual
-----------------	--	--

※ There may be some differences on different spare parts. Please adhere to the actual product instead.

IV. PRODUCT DESCRIPTION

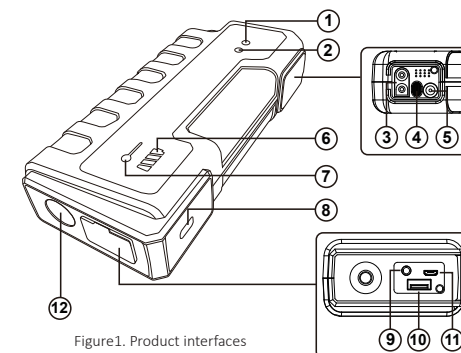


Figure1. Product interfaces

- | | |
|--|----------------------------|
| 1. Jumpstart Ready Indicator | 7. Temperature Mode |
| 2. Error Warning Indicator | 8. Power/Flashlight Button |
| 3. EC5 Dock(Connect to Alligator Clamps) | 9. DC input |
| 4. Interface light button/Manual Activation Button | 10. USB Output |
| 5. DC 12V Output | 11. MicroUSB Input |
| 6. Power Capacity Indicators | 12. Ultrabright Flashlight |

Keys Function Description

⏻/MODE : Power ON/OFF/LED light Modes switch

Power ON: Press the ⏻ button on the side of the unit to **switch on. The unit will automatically turn off when it's not used.**

LED light mode switch: Press the ⏻ to switch LED light mode, with 3 modes available: flashlight, Blink, SOS.

Battery Deformation Warning: This product is built-in battery deformation detection technology. When the built-in battery irreversible deformation occurs, the bulge battery will trigger the sensor(s), and the system will shutdown to prevent further damage, and all the LED indicators on the product will keep blinking until the system is shutdown.

Jumpstart Ready Indicator: When the Jumpstart Ready Indicator is on, you are ready to jumpstart your car.

Error Warning Indicator: When operating errors occur while the product is activated, such as the product is accidentally short-circuited, clipped to the wrong poles of the car battery, etc. The Error Warning Indicator will light up along with warning beeps, the product will automatically turned off. Please find out the trouble and put it right.

Temperature Mode indicator: When $^{\circ}\text{C}$ lights up, means working temperature is within Normal operating temperature range; When $^{\circ}\text{C}$ lights up, means the unit temperature is below 0, the unit will automatically switch to Low Temperature Working Mode, you can still try to boost up your car with this mode. When $^{\circ}\text{C}$ lights up, Means the unit temperature is over 60 C, it's beyond Normal operating temperature range, the unit will automatically shutdown to protect the battery.

Interface light button/Manual Activation Button: Single click to light up the interface panel to get a better visibility. Long Press the button for 3 seconds, and the unit will switch to **Manual Activation Mode** to jumpstart a car. (This unit is designed to intelligently identify the car battery voltage and jumpstart the engine by default).

V. PRODUCT INSTRUCTION

1. How to start a car with this product

When the car cannot start due to battery power loss or low temperature, this product can be used to try to start the car.



This product can only be used for the 12V car battery, cannot be used on a 6V or 24V car battery; before using this product, please ensure that your car battery voltage is 12V version

Different cars need different starting current(Cranks Ampere), the peak starting current of this product is 700A, it is suitable for starting the car at a 6.0L or lower displacement. The number of consecutive starting engine should not be more than 5 times in one time, otherwise it may cause overheating protection, or even damage the product. If the car is still unable to start within specified times, please stop using the product, check whether the product is insufficient of power(it is suggested that the power should be no less than three levels), or caused by other problems.

Application method

- ① Open the product dust cover, insert the standard Clamp cable into the EC5 dock;
- ② Clip the red clamp on the positive electrode of car battery, clip the black clamp on the negative electrode of car battery(the red clamp represents positive electrode, black represents negative electrode).
- ③ After correct connection, the Jumpstart Ready Indicator will be on along with two short beeps. When the Jumpstart Ready Indicator is on, you are ready to jumpstart your car, please start the car in time

- ④ After the car is successfully started, please take off the Clamps from car battery and disconnect the clamps from the unit timely.

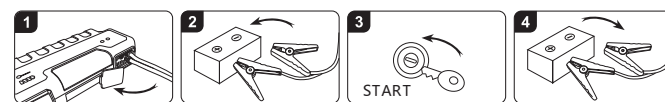
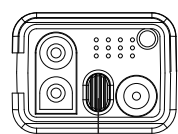


Figure 2. Application method

Attention: When taking off the Clamps from car battery timely, the Clamps are forbidden to connect with the positive/negative electrode, otherwise it may cause short circuit protection and electric spark. Please separate the clamps from the power station in time. If there is a short circuit protection, the Error Warning Indicator will light up along with warning beeps, the product will automatically turned off to protect the unit. Please find out the trouble and put it right.

2. How to start the car with Manual Activation Mode



Manual activation button
Figure 3 Manual activation button

Warnings:

- 1) Manual activation mode is only for experienced mechanics. If you have no idea what you are doing, it is highly recommended you call the third party rescue instead.
- 2) Before using the manual activation mode, please ensure that the car battery is 12V version, it is forbidden to use this product on the cars of other versions.
- 3) Before using the manual activation mode, please check whether if the smart clamps are not properly connected to the positive/negative electrode. Also please check whether the standard clamp interface has foreign material, broken circuit or there is something dirty on the positive/negative electrode, that makes the Clamps unable to connect with battery.
- 4) After excluding the situation 2and 3, if the product still cannot identify the car battery and Jumpstart Ready Indicator still doesn't light up, then you can try to

Manual activation key: This product adopts intelligent recognition starting mode by default, when the battery (12V version) is in a depth loss or damage, battery voltage may be less than 3V or close to 0V, at this time, even the Clamps are correctly connecting with the positive/negative electrode, it will also be considered as the condition that the battery does not meet the support battery or no-live load, the product will not work, You can still try to boost up your car by using the manual activation mode.

start your car with manual activation mode. Firstly, you must ensure that the clamps are properly connected to the battery positive and negative electrode, otherwise manual activation mode will lead to product short circuit protection, the Error Warning Indicator will light up along with warning beeps. Then, under the manual activation mode, the positive and negative clamps cannot contact at any condition or reconnect the battery, or it may cause sparks, or other danger.

- 5) Ensure the clamps are properly connected to the battery positive and negative electrode, press the manual activation button for 3 seconds, the Jumpstart Ready Indicator will be on, you can try to start the car then.
- 6) Please carefully remove the smart clamp after the car is started, the positive and negative are forbidden to contact, disconnect the clamps with the battery in time.

3. Application of the product in low temperature condition

If the product is placed under extremely low temperature conditions (below zero degrees Celsius), the chemical activity of lithium battery will decrease due to the temperature affect, output power drops, the first emergency starting may fail due to the insufficient output power. Because the product temperature will naturally rise when using, the chemical activity of lithium battery will slowly recover, as well as the output power. You can try to start the car within a specified times(no more than 5 times)

- 1) After each use, please timely charge the battery, so as to have a greater power output in case of low temperature
- 2) In low temperature, the first starting may fail, please try to start the car in a specified time.
- 3) If the power is not enough(less than 3 levels), in the low temperature mode, it may be unable to provide sufficient power to start the car, if you still cannot start the car within the specified time, please stop using this product, contact a third emergency rescue instead.

4.How to provide power for digital appliances with this product?

USB output:

- 1) This product comes with MicroUSB cable, it can directly connect with mobile phone, MP3 and other digital products to provide a standard 5V/2A output current.
- 2) This product supports QuickCharge2.0 output, provides a maximum 5V/2.1A output current, 9V/1.7A,12V/1.5A, charging voltage and current depends on the design specifications of digital devices, it can be obtained by consulting the digital device manufacturer.

5. How to charge for this product?

- 1) This product supports Micro USB 5V/1A charging, it can be connected to the standard USB charging adapter and USB car charger for charging. After fully charged, please disconnect the connection with the charging line in time.
- 2) Charge the product with a DC power adapter. This product support DC15V/1A DC input.
- 3) Charge the product through a car charger.

VI. PRODUCT APPLICATION SKILLS

- A) Before using the product to start the car, please turn off the electronic equipment on the car firstly, such as air conditioning, lights, navigation, driving recorder, so as to achieve a better starting effect
- B) This product is built in high quality original lithium ion battery, it has no memory effect but high-capacity, and it is durable. However, we still recommend you to apply in the range of 10 C ~30 C, so as to obtain the optimal charging capacity;
- C) If the device has not been used for a long time, please disconnect the cable and store the corresponding equipment use manual for more information
- E) In order to extend the life of product (lithium battery), it is best to charge within 3 months, and charge at least once within 6 months.
- F) After starting, if there is no any output, it displays to automatically shut down within 1 minute, so as to achieve better energy-saving effect.

Recycle

Always return your used electronic products, batteries, and packaging materials to dedicated collection points. This way you help prevent uncontrolled waste disposal and promote the recycling of materials.

Battery information

Your device has and internal, non-removable, rechargeable battery. Do not attempt to remove the battery, as you may damage the device. The battery can be charged and discharged over 500 times, but it will eventually wear out.

Statement

All rights reserved. Reproduction in whole or in part without written permission is prohibited. All other trademarks are trademarks of their respective owners. Features and specifications are subject to change without notice.



MADE IN CHINA